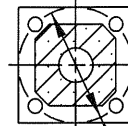


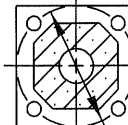
INSTALL PCC SLAB PER CITY STANDARD DRAWING SIDEWALK CONSTRUCTION ADJACENT TO CURB.

CENTRECON MBO PUMCO G6, G8



12" DIAM. BOLT CIRCLE

AMERON 1-C1

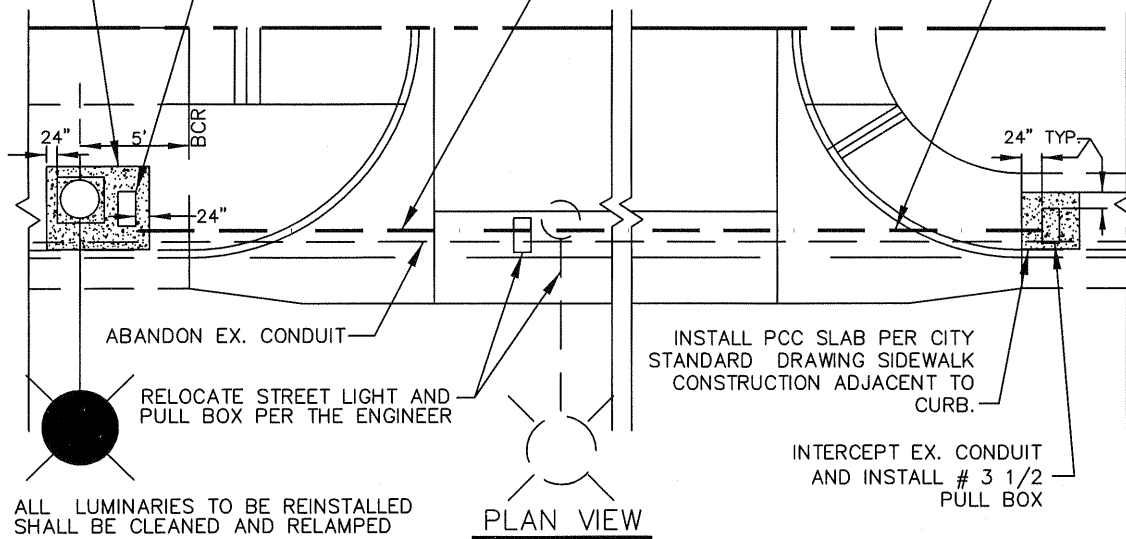


12 1/2" DIAM. BOLT CIRCLE

BOLT CIRCLE DETAIL

INTERCEPT EX. CONDUIT AND INSTALL # 3 1/2 PULL BOX

INSTALL 1 1/2" RIGID METALLIC CONDUIT OR SCH 80 PVC WITH NEW CONDUCTORS PULLED TO NEXT EXISTING POLE LOCATION.



ALL LUMINARIES TO BE REINSTALLED SHALL BE CLEANED AND RELAMPED

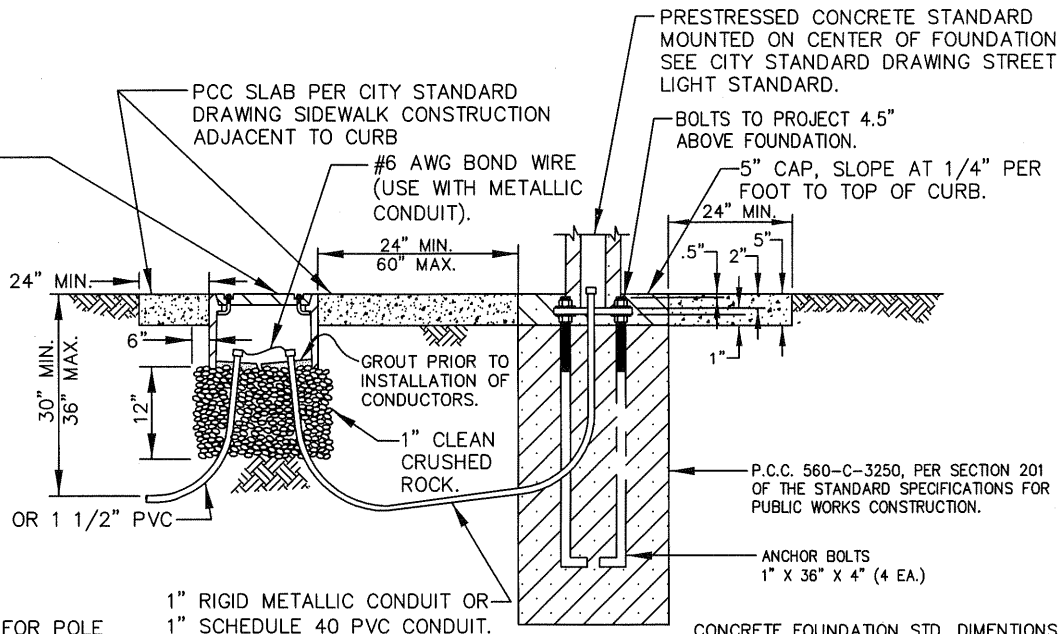
INSTALL PCC SLAB PER CITY STANDARD DRAWING SIDEWALK CONSTRUCTION ADJACENT TO CURB.

INTERCEPT EX. CONDUIT AND INSTALL # 3 1/2 PULL BOX

NOTE: WHEN A NEW DRIVE APPROACH IS INSTALLED THE EXISTING STREET LIGHT CONDUIT SHALL BE REPLACED PER THIS STANDARD DRAWING AND NEW CONDUCTORS INSTALLED. THE DEVELOPMENT ENGINEER SHALL CHECK OUT THE ORIGINAL STREET LIGHT DRAWING AND SHOW THE PROPOSED DRIVE APPROACH AND THE STREET LIGHT THAT IS TO BE RELOCATED WHEN AN EXISTING TRAFFIC SIGNAL PULL BOX LANDS IN A NEW DRIVE APPROACH, THE PULL BOX, CONDUIT AND CONDUCTORS (DLC,IC) SHALL BE RELOCATED PER THE ENGINEER.

NOTE: IN COMMERCIAL AREAS THE FUSE HOLDER SHALL BE PLACED IN THE STANDARD HAND HOLE AND THE PULL BOX LID GROUTED CLOSED

NO. 3 1/2 PULL BOX WITH FUSED DISCONNECT (SEE DETAIL TYPICAL FUSEHOLDER INSTALLATION). INSTALL TWO 3/8" BRASS, NYLON OR STAINLESS STEEL LID LOCKS AND 2"(MIN.) GROUT IN THE BOTTOM OF BOX.



FEED CONDUIT  
1 1/2" RIGID METALLIC CONDUIT OR 1 1/2" PVC SCHEDULE 80 PVC CONDUIT

1" RIGID METALLIC CONDUIT OR 1" SCHEDULE 40 PVC CONDUIT.

P.C.C. 560-C-3250, PER SECTION 201 OF THE STANDARD SPECIFICATIONS FOR PUBLIC WORKS CONSTRUCTION.

CONCRETE FOUNDATION STD. DIMENSIONS:  
A&B = 30" X 30" X 42"  
C = 30" X 30" X 48"

FOR POLE PLACEMENT SEE CITY STANDARD DRAWING STREET LIGHT INSTALLATION

TYPICAL FOUNDATION AND PULLBOX INSTALLATION



APPROVED BY: <i>John P. Sullivan</i>				
JOHN P. SULLIVAN CITY ENGINEER		24079	8/08/06	RCE DATE
RECOMMENDED: <i>Thomas A. Damm</i>				
TRAFFIC/TRANSPORTATION MANAGER		2013	8/07/06	TE DATE
REV	DESCRIPTION	BY	APP'D	DATE

CITY OF ONTARIO

DRIVE APPROACH STREET LIGHT RELOCATION

STANDARD DRAWING NUMBER **5104**