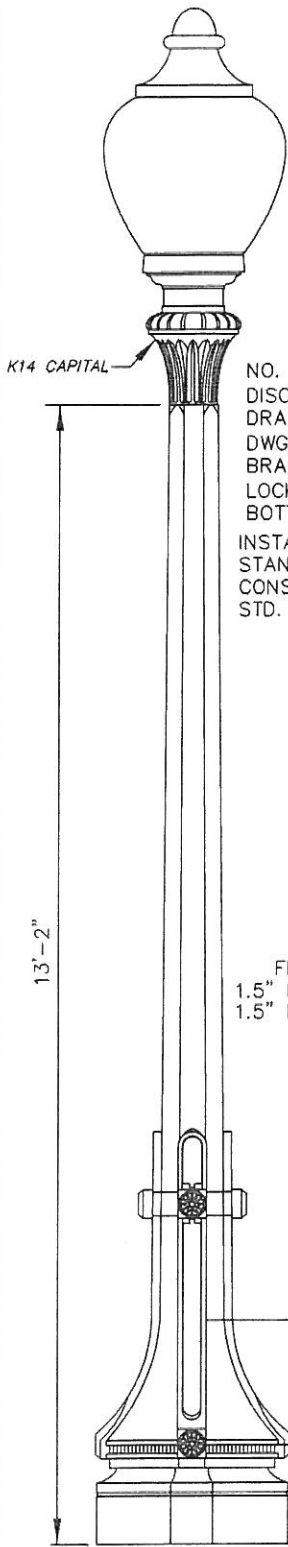


☒ USE 60 WATT, LED KING LUMINAIRE
K118R-BAAR-III-60(SSL)-5000-240-K14-PR-BK

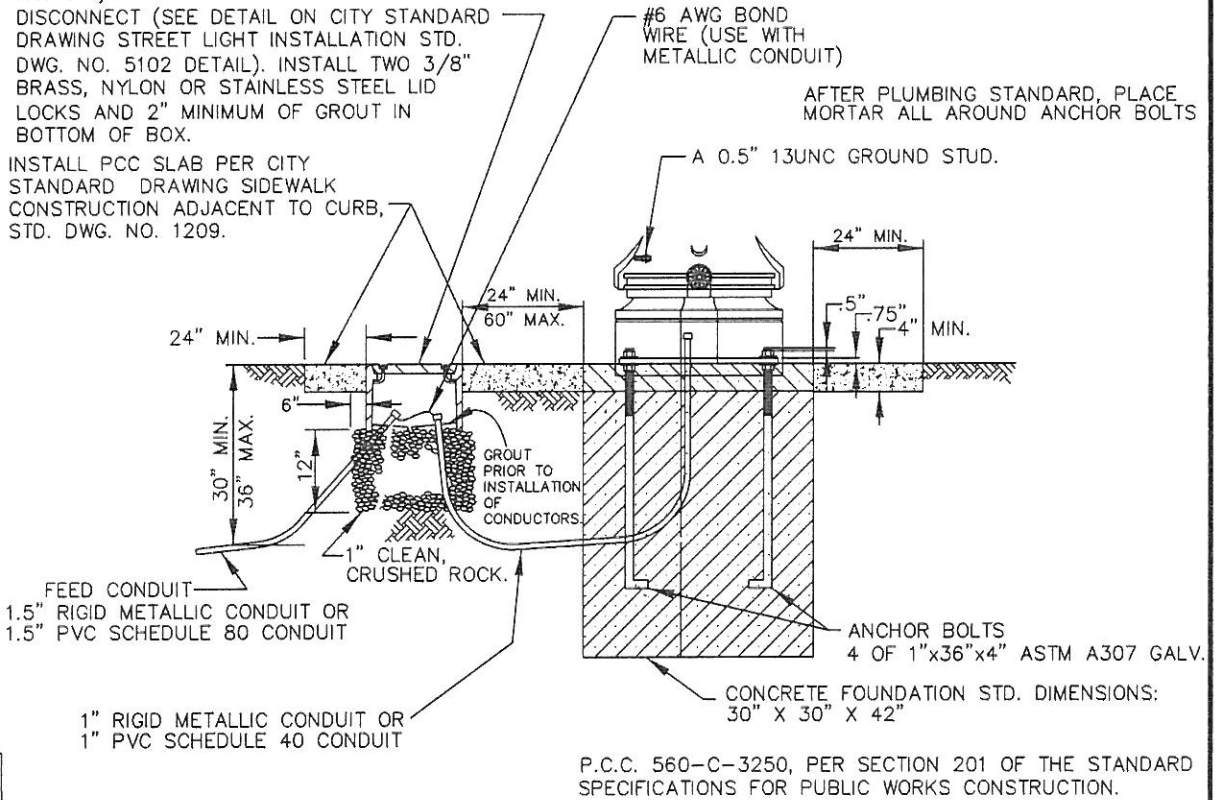
☒ USE 100 WATT, LED KING LUMINAIRE
K118R-BAAR-III-100(SSL)-8000-240-K14-PR-BK

FRENCH INTERMEDIATE CAST ALUMINUM POLE
CATALOGUE # KM62-13, PAINT: BLACK
THE POLE SHALL BE CAST ALUMINUM - A356.
THE POLE SHALL BE 13'-2" HEIGHT WITH A 21.75" DIAMETER BASE. A TENON SHALL BE PROVIDED AT TOP OF SHAFT, 3.5" O.D. x 3.5" L.

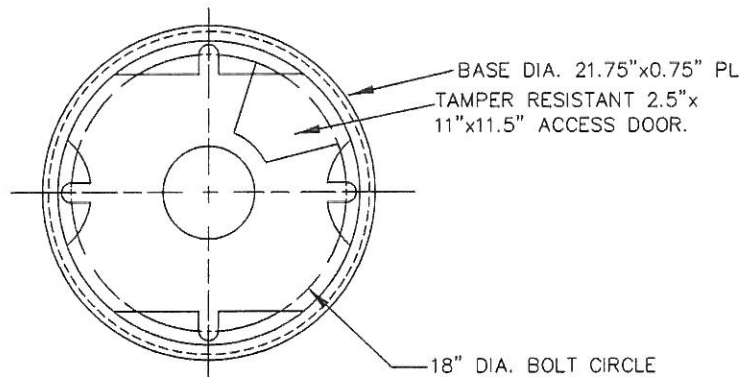


NO. 3 1/2 PULL BOX WITH FUSED DISCONNECT (SEE DETAIL ON CITY STANDARD DRAWING STREET LIGHT INSTALLATION STD. DWG. NO. 5102 DETAIL). INSTALL TWO 3/8" BRASS, NYLON OR STAINLESS STEEL LID LOCKS AND 2" MINIMUM OF GROUT IN BOTTOM OF BOX.

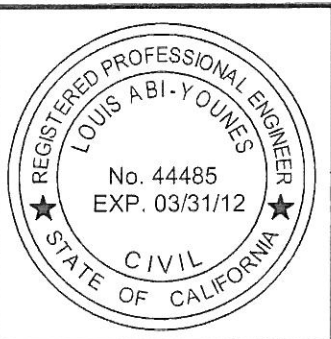
INSTALL PCC SLAB PER CITY STANDARD DRAWING SIDEWALK CONSTRUCTION ADJACENT TO CURB, STD. DWG. NO. 1209.



KING STANDARD FOUNDATION AND PULLBOX INSTALLATION



KING STANDARD BOLT CIRCLE DETAIL



APPROVED BY:				
<i>Louis Abi-Younes</i>		44485	9.9.10	
LOUIS ABI-YOUNES CITY ENGINEER		RCE	DATE	
RECOMMENDED:				
<i>Thomas A. Davis</i>		2013	9/9/10	
TOM DANNA, TRAFFIC/TRANSPORTATION MANAGER		TE	DATE	
REV	DESCRIPTION	BY	APP'D	DATE

CITY OF ONTARIO	
KING STREET LIGHT STANDARD	STANDARD DRAWING NUMBER
	5103