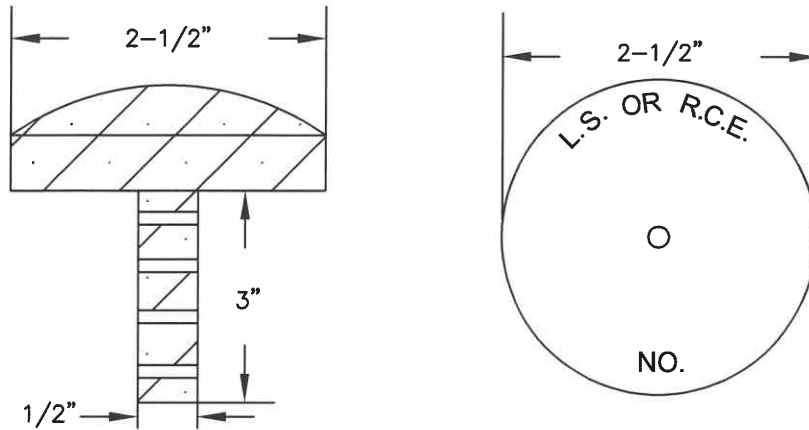
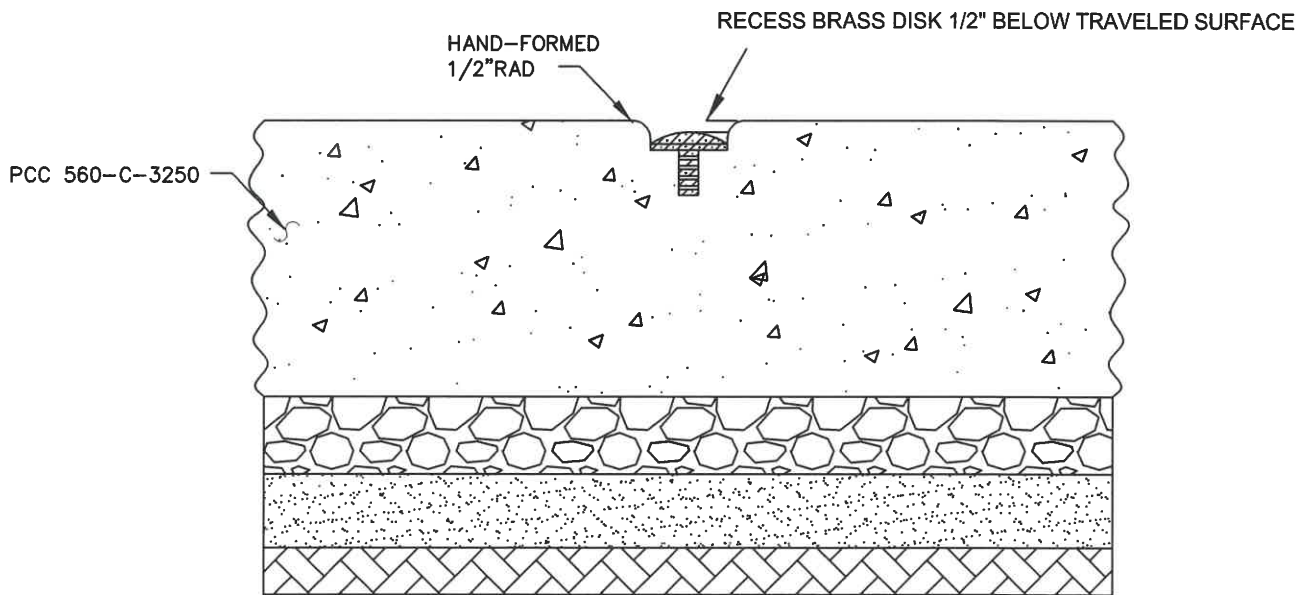


# MONUMENT TYPE "D"



## 2 -1/2" DOMED BRASS DISK AT CONCRETE INTERSECTIONS



**NOTE:**

1. A 2-1/2" BRASS DISK SHALL BE INSTALLED AT ALL CENTERLINE INTERSECTIONS THAT ARE CONSTRUCTED WITH CONCRETE.
2. A BRASS DISK THAT IS 2-1/2" DIA WITH 3" RIBBED SHANK OR APPROVED EQUAL SHALL BE FURNISHED AND INSTALLED AT PCC CENTERLINE INTERSECTIONS BY THE SURVEYOR.
3. REFER TO CITY STANDARDS 6106 AND 6107.



APPROVED BY:				
		62809	5/20/24	
KHOI DO, CITY ENGINEER		RCE	DATE	
RECOMMENDED:				
		70990	5/15/24	
BRYAN LIRLEY, ASSISTANT CITY ENGINEER		RCE	DATE	
REV	DESCRIPTION	BY	APP'D	DATE

CITY OF ONTARIO

MONUMENT  
CONCRETE  
INTERSECTION

STANDARD  
DRAWING  
NUMBER

**6105**