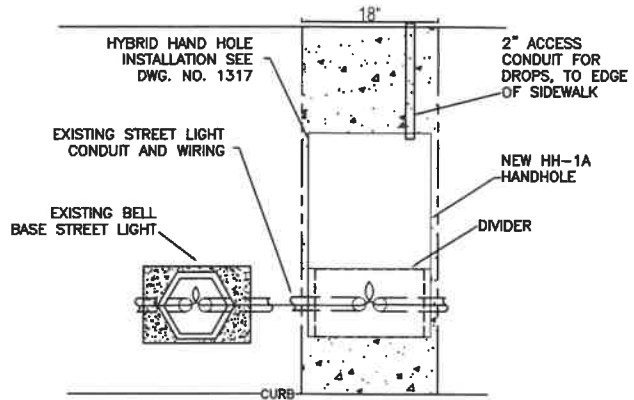


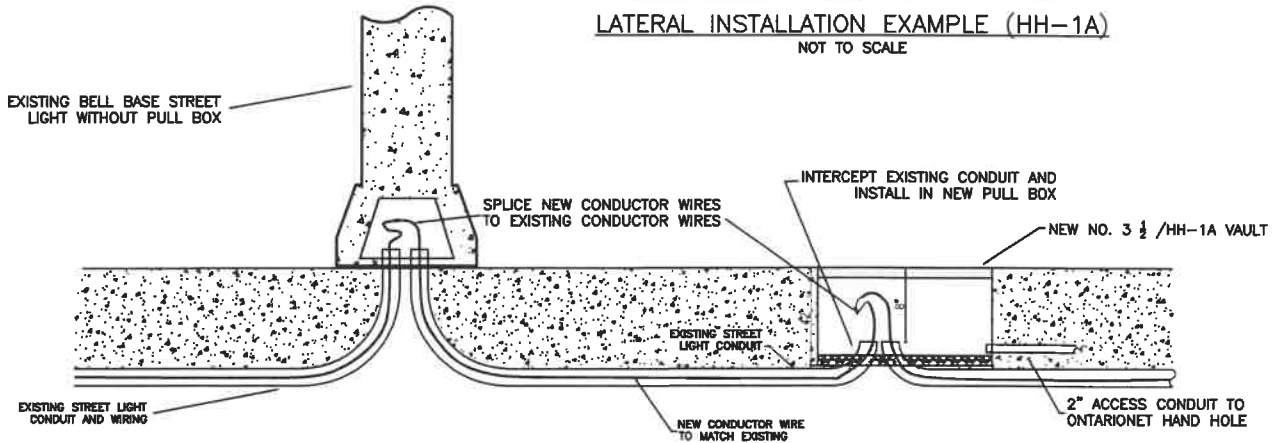
BACKBONE INSTALLATION EXAMPLE (NO. 3 1/2)
NOT TO SCALE

INSTALLATION NOTES

1. DE-ENERGIZE POWER TO STREET LIGHT, DISCONNECT WIRES IN BASE OF STREET LIGHT.
2. LOCATE AND EXPOSE EXISTING STREET LIGHT CONDUIT, OPEN WINDOW ON CONDUIT AND PULL WIRING BACK FROM STREET LIGHT.
3. CUT CONDUIT FLUSH TO NEW HAND HOLE WALLS, USE 90 DEGREE CONDUIT SWEEPS TO BRING CONDUIT 8" FROM SURFACE. NEW CONDUIT SHALL MATCH EXISTING CONDUIT TYPE AND SIZE.
4. INSTALL NO. 3 1/2 OR HH-1A STREET LIGHT HAND HOLE OVER CONDUIT SWEEPS.
5. FROM NEW HAND HOLE TO STREET LIGHT, PLACE NEW CONDUCTOR WIRE IN KIND TO EXISTING CONDUCTOR WIRE.
6. CONNECT NEW CONDUCTOR WIRES AND ENERGIZE POLE
7. HAND HOLE DISTANCE FROM STREET LIGHT POLE WILL VARY BASED ON FIELD CONDITIONS



LATERAL INSTALLATION EXAMPLE (HH-1A)
NOT TO SCALE



TYPICAL BELL BASE STREET LIGHT CONDUIT INTERCEPT
NOT TO SCALE



APPROVED BY: <i>[Signature]</i> - 7-12-23				
KHOI K. DO - CITY ENGINEER		62809	RCE	DATE
RECOMMENDED: <i>[Signature]</i> - 7/12/23				
BRYAN LIRLEY - ASSISTANT CITY ENGINEER		-70990	RCE	DATE
REV	DESCRIPTION	BY	APP'D	DATE

CITY OF ONTARIO	
BELL BASE STREET LIGHT CONDUIT INTERCEPT FOR FIBER OPTIC HANDHOLE	STANDARD DRAWING NUMBER
	1318